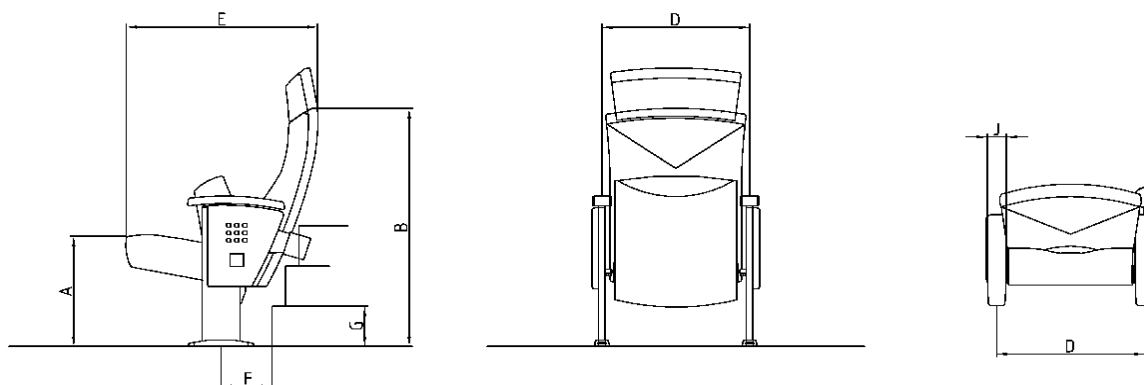


## Julia Collection



### Measurement | Weight

Measurements in mm	Axle distance	Total depth	Total height	Seat height	Weight in Kg
	D	E**/**	B*	A	
Julia folding	550	460 - 490	950	440	14,6
Julia fixed	550	690 - 720	950	440	14,6

\* Height with headrest + 160 mm / \*\* Slope of the BR + seat depth adjustable during assembly

\*\*\* Total depth with opened chair + 230 mm

Measurements in mm	min.	height
	F	G
Distance between the middle of the foot to the front edge of the	190	160
Distance between the middle of the foot to the front edge of the	240	320
Distance between the middle of the foot to the front edge of the	290	480

\*\*\*\* only possible without bottle holder

Measurements in mm	Width	Depth
	H	I
Drill hole separation (ABS)	550	200

Measurements in mm	Width
	J
Armrest width	70

Technical alterations reserved!