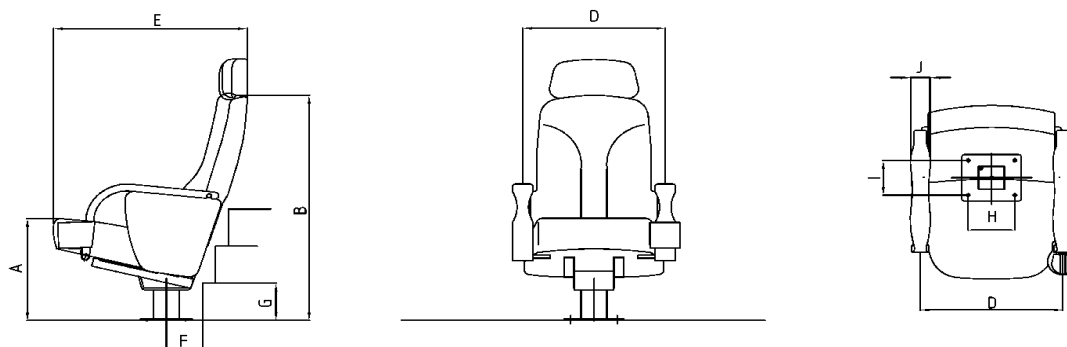


Humphrey Collection



Maße | Gewichte

Measurements in mm	Axle distance	Total depth	Total height	Seat height	Weight in kg
	D	E**	B*	A	
Humphrey single seat with integrated armrests	550	700 - 750	970	440	26,8
Humphrey double seat with integrated armrests	1100	700 - 750	970	440	51,4
Humphrey single seat with fully upholstered armrests	570	700 - 750	970	440	27,6
Humphrey double seat with fully upholstered armrests	1140	700 - 750	970	440	52,2

* Height with headrest + 160 mm / ** Slope of the BR + seat depth adjustable during assembly

Measurements in mm	min.	height
	F	G
Distance between the middle of the foot to the front edge of the	160	160
Distance between the middle of the foot to the front edge of the	210	320
Distance between the middle of the foot to the front edge of the	260	480

Measurements in mm	Width	Depth
	H	I
Drill hole separation	180	150

Measurements in mm	Width
	J
Armrest width integrated armrest	80
Armrest width fully upholstered armrest	120

Technical alterations reserved!