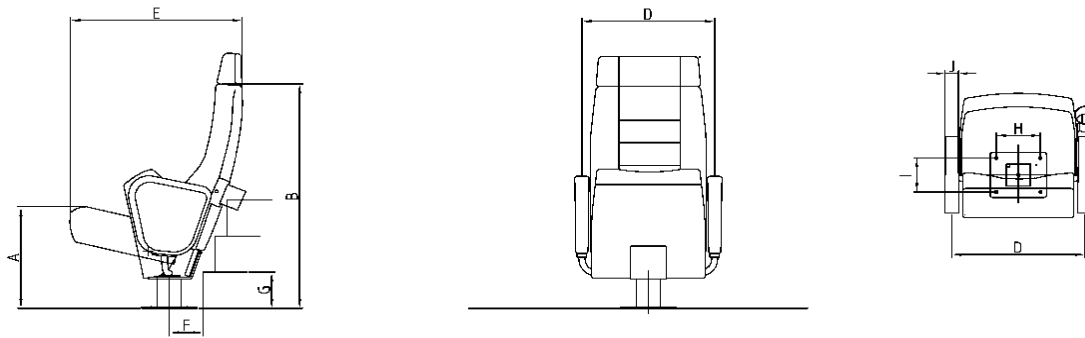


Technical information

PROJECTS

Harrison Collection - folding



Measurement | Weight

Measurements in mm	Axle distance	Total depth	Total height	Seat height	Weight in kg
	D	E** /***	B*	A	
Harrison single seat with integrated armrests	550	500 - 550	970	440	25.00
Harrison double seat with integrated armrests	1050	500 - 550	970	440	45.40
Harrison single seat with fully upholstered armrests	550	500 - 550	970	440	26.40
Harrison double seat with fully upholstered armrests	1050	500 - 550	970	440	46.60

* Height with headrest + 160 mm / ** Slope of the BR + seat depth adjustable during assembly

*** Total depth with opened chair + 200 mm

Measurements in mm	min.	height	
	F	G	
Distance between the middle of the foot to the front edge of the	140	160	
Distance between the middle of the foot to the front edge of the	190	320	
Distance between the middle of the foot to the front edge of the	240	480	**** only possible without bottle holder

Measurements in mm	Width	Depth
	H	I
Drill hole separation	180	150

Measurements in mm	Breite
	J
Armrest width integrated armrest	60
Armrest width fully upholstered armrest	70

Technical alterations reserved!