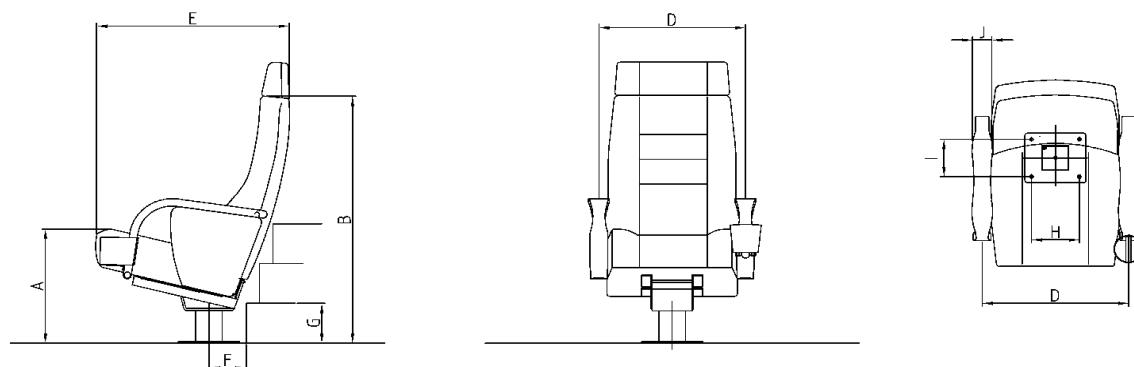


## Harrison Collection - fixed



### Dimensions / Weight

Measurements in mm	Axle distance	Total depth	Total height	Seat height	Weight
	D	E**	B*	A	
Harrison single-seat with integrated foam armrests	550	700 - 750	970	440	24.00
Harrison two seater with integrated foam armrests	1050	700 - 750	970	440	41.80
Harrison single-seat with fully upholstered armrests	570	700 - 750	970	440	25.40
Harrison two seater with fully upholstered armrests	1070	700 - 750	970	440	43.00

\* Height with headrest + 160 mm / \*\* Slope of the BR + seat depth adjustable during assembly

Measurements in mm	min.	height
	F	G
Distance between the middle of the foot to the front edge of the	140	160
Distance between the middle of the foot to the front edge of the	190	320
Distance between the middle of the foot to the front edge of the	240	480

Measurements in mm	Width	Depth
	H	I
Drill hole separation	180	150

Measurements in mm	Width
	J
Armrest width integrated armrest	80
Armrest width fully upholstered armrest	120

Technical alterations reserved!